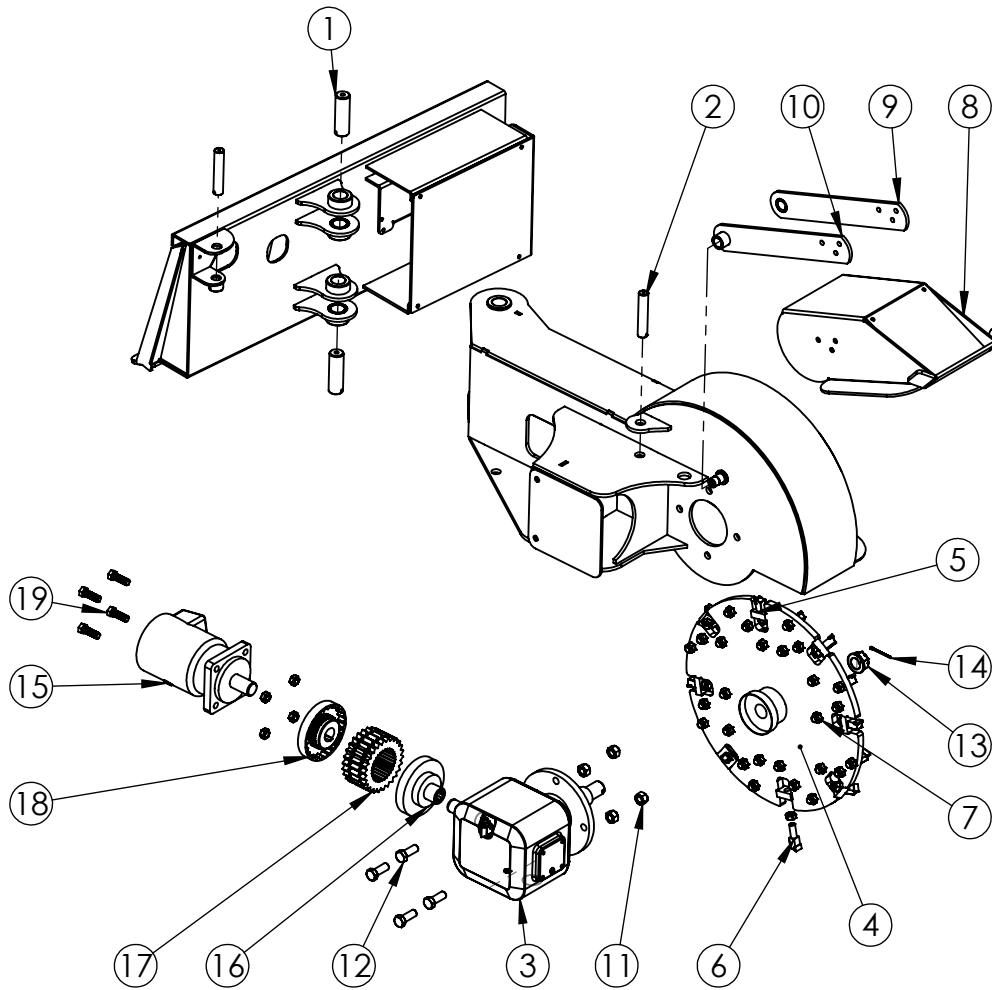


# S28



ITEM NO.	PART NUMBER	DESCRIPTION	QTY.
1	P2008	Pin 1.5x4.75 Cross Hole	2
2	P2007	1x5.25 Cross Hole Grease	2
3	S1026	3 PH Gearbox	1
4	750 3P24-1	Rotor	1
5	570 3P24-2	Block	8
6	S1000	625 tooth	34
7	S2001	Tooth Nut	38
8	S1035	Flooding Deflector	1
9	S2021	Deflector Arm	1
10	S2022	Deflector Arm G.B. Side	1
11	Hex Nut_AI	Hex Nut_AI	4
12	HFBOLT 0.75-16x2x1.75-N	HFBOLT 0.75-16x2x1.75-N	4
13	S1046	S1026 Gearbox Main Nut	1
14	S1047	S1026 Gearbox Main Pin	1
15	H1003	23-40 GPM Motor	1
16	S1063	Flex Gear Hub	1
17	S1062	50 HP Flex	1
18	S1061	Flex Motor Hub	1
19	F2002	2 x.625 Fine Thread	4

**PROPRIETARY AND CONFIDENTIAL**  
 THE INFORMATION CONTAINED IN THIS DRAWING IS THE SOLE PROPERTY OF BAUMALIGHT. ANY REPRODUCTION IN PART OR AS A WHOLE WITHOUT THE WRITTEN PERMISSION OF BAUMALIGHT IS PROHIBITED.

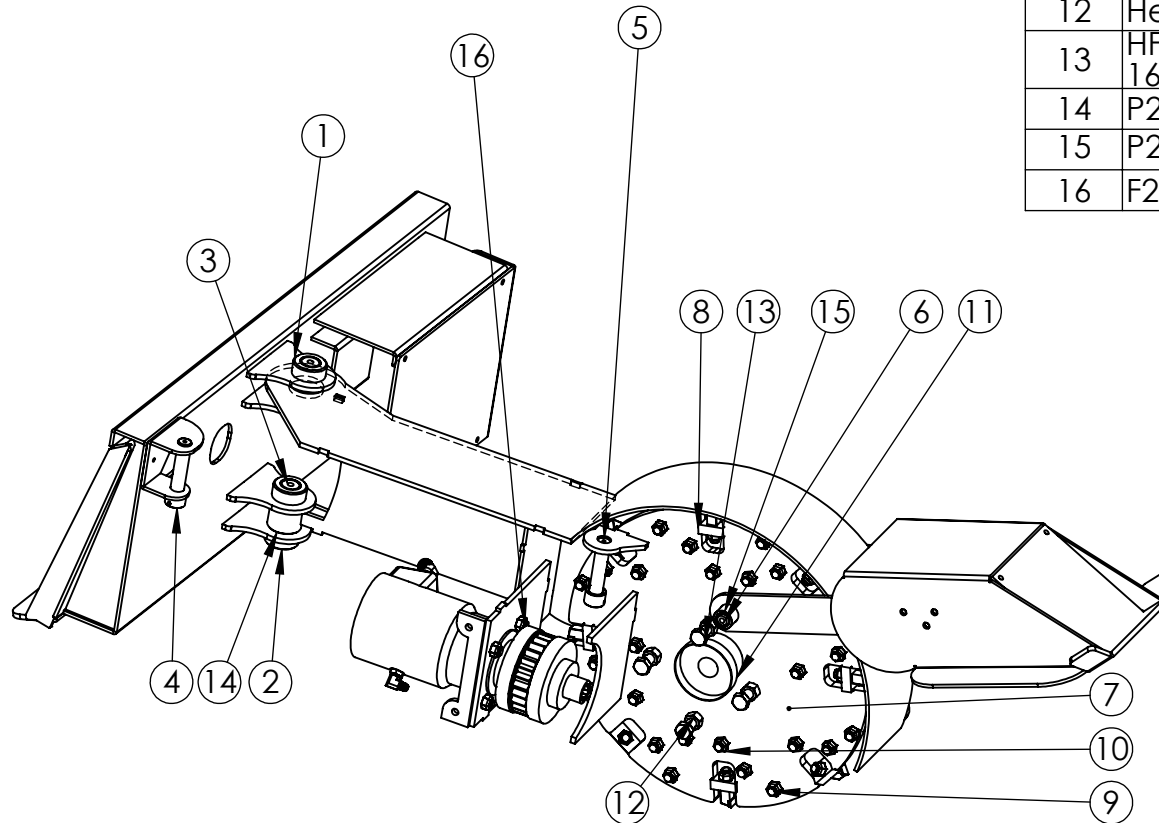
Please Specify Serial # When Ordering Parts



MTB MFG INC.  
 4575 Powel Rd. Tel:(519)698-9864  
 RR# 1, Wallenstein Fax:(519)698-1087  
 ON, N0B 2S0 Email:menno@mtbmfg.ca  
 Web:www.mtbfmfg.ca

# S28

ITEM NO.	PART NUMBER	DESCRIPTION	QTY.
1	P2030	End Furl W/Step	2
2	P2031	End Furl With Cross Hole	2
3	P2008	Pin 1.5x4.75 Cross Hole	2
4	P2014	1x1 Bushing With Cross Hole	2
5	P2007	1x5.25 Cross Hole Grease	2
6	P2004	Deflector Pins	2
7	750 3P24-1	Rotor	1
8	570 3P24-2	Block	8
9	S1000	625 tooth	34
10	S2001	Tooth Nut	38
11	S1045	Weldable Hub	1
12	Hex Nut_AI	Hex Nut_AI	4
13	HFBOLT 0.75-16x2x1.75-N	HFBOLT 0.75-16x2x1.75-N	4
14	P2029	1.5IDx1.75 Center Furl	2
15	P2016	1x1.5 Bushing	2
16	F2002	2 x.625 Fine Thread	4



**PROPRIETARY AND CONFIDENTIAL**  
 THE INFORMATION CONTAINED IN THIS DRAWING IS THE SOLE PROPERTY OF BAUMALIGHT. ANY REPRODUCTION IN PART OR AS A WHOLE WITHOUT THE WRITTEN PERMISSION OF BAUMALIGHT IS PROHIBITED.

Please Specify Serial # When Ordering Parts



MTB MFG INC.  
 4575 Powel Rd. Tel:(519)698-9864  
 RR# 1, Wallenstein Fax:(519)698-1087  
 ON, N0B 2S0 Email:menno@mtbmfg.ca  
 Web:www.mtbfmg.ca