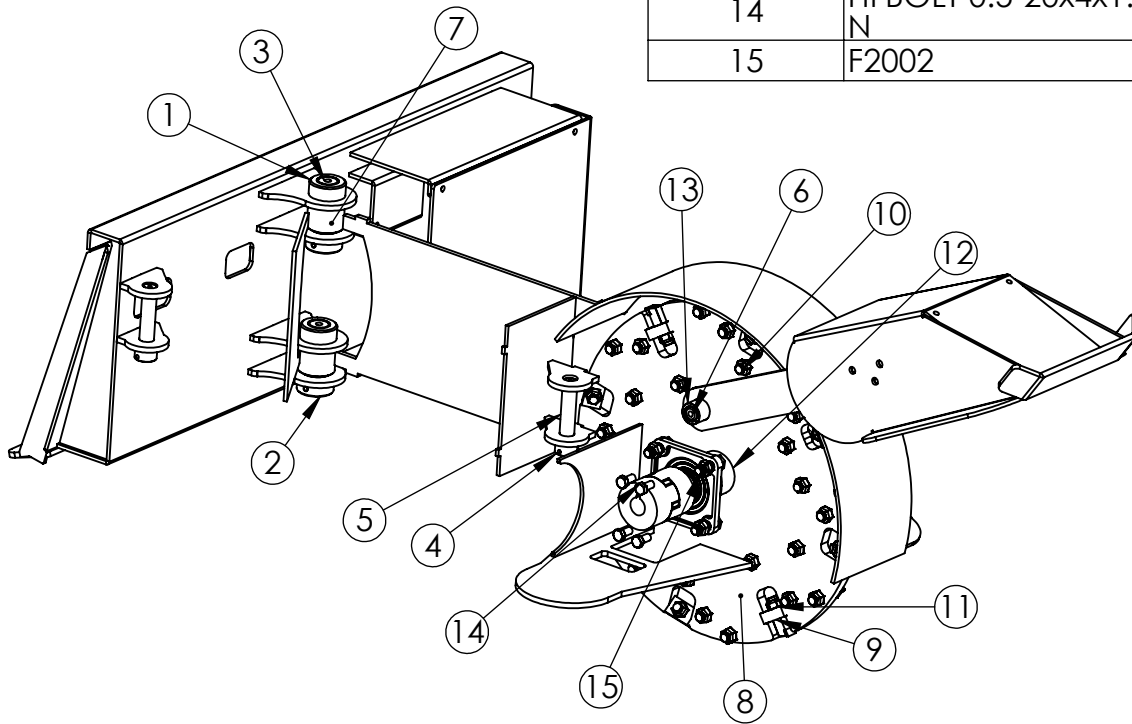


S24

ITEM NO.	PART NUMBER	DESCRIPTION	QTY.
1	P2030	End Furl W/Step	2
2	P2031	End Furl With Cross Hole	2
3	P2008	Pin 1.5x4.75 Cross Hole	2
4	P2014	1x1 Bushing With Cross Hole	2
5	P2007	1x5.25 Cross Hole Grease	2
6	P2004	Deflector Pins	2
7	P2029	1.5IDx1.75 Center Furl	2
8	750 3P24-1	Rotor	1
9	570 3P24-2	Block	8
10	S1000	625 tooth	34
11	S2001	Tooth Nut	42
12	S2000	Shaft	1
13	P2016	1x1.5 Bushing	2
14	HFBOLT 0.5-20x4x1.25-N	HFBOLT .5-20x4x1.25-N	4
15	F2002	2 x.625 Fine Thread	8



PROPRIETARY AND CONFIDENTIAL
 THE INFORMATION CONTAINED IN THIS DRAWING IS THE SOLE PROPERTY OF BAUMALIGHT. ANY REPRODUCTION IN PART OR AS A WHOLE WITHOUT THE WRITTEN PERMISSION OF BAUMALIGHT IS PROHIBITED.

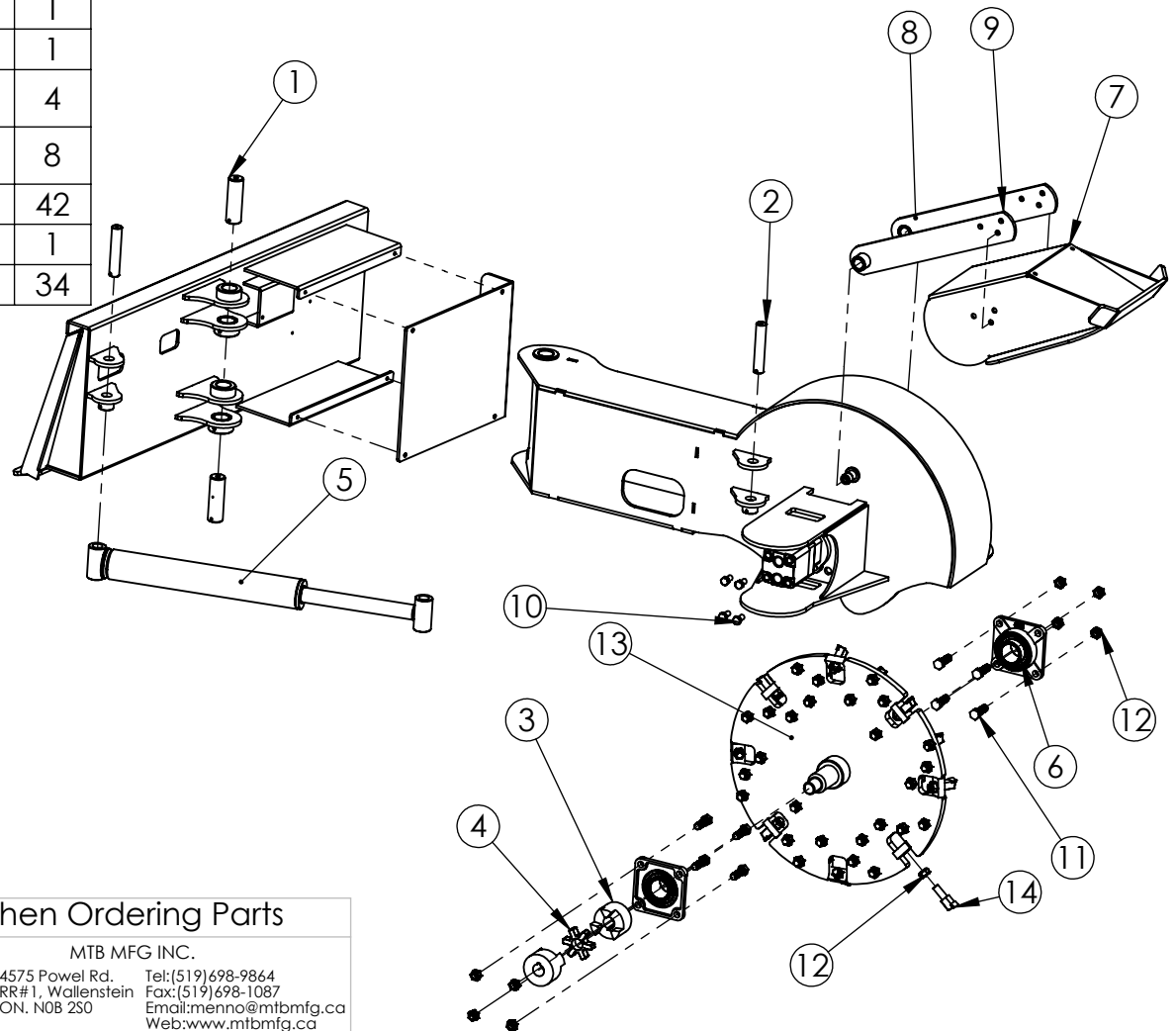
Please Specify Serial # When Ordering Parts



MTB MFG INC.
 4575 Powel Rd. Tel:(519)698-9864
 RR# 1, Wallenstein Fax:(519)698-1087
 ON, N0B 2S0 Email:menno@mtbmfg.ca
 Web:www.mtbfmg.ca

S24

ITEM NO.	PART NUMBER	DESCRIPTION	QTY.
1	P2008	Pin 1.5x4.75 Cross Hole	2
2	P2007	1x5.25 Cross Hole Grease	2
3	B2012	Flex Hub L110	2
4	B2013	L110 Flex	1
5	S1024	23.125" Cylinder	1
6	B2002	FLANGE BEARING UCF-210-32	2
7	S1035	Flooding Deflector	1
8	S2021	Deflector Arm	1
9	S2022	Deflector Arm G.B. Side	1
10	HFBOLT 0.5-20x4x1.25-N	HFBOLT .5-20x4x1.25-N	4
11	F2002	2 x.625 Fine Thread	8
12	S2001	Tooth Nut	42
13	750 3P24-1	Rotor	1
14	S1000	625 tooth	34



PROPRIETARY AND CONFIDENTIAL
 THE INFORMATION CONTAINED IN THIS DRAWING IS THE SOLE PROPERTY OF BAUMALIGHT. ANY REPRODUCTION IN PART OR AS A WHOLE WITHOUT THE WRITTEN PERMISSION OF BAUMALIGHT IS PROHIBITED.

Please Specify Serial # When Ordering Parts



MTB MFG INC.
 4575 Powel Rd. Tel: (519) 698-9864
 RR# 1, Wallenstein Fax: (519) 698-1087
 ON, N0B 2S0 Email: menno@mtbmfg.ca
 Web: www.mtbfmg.ca