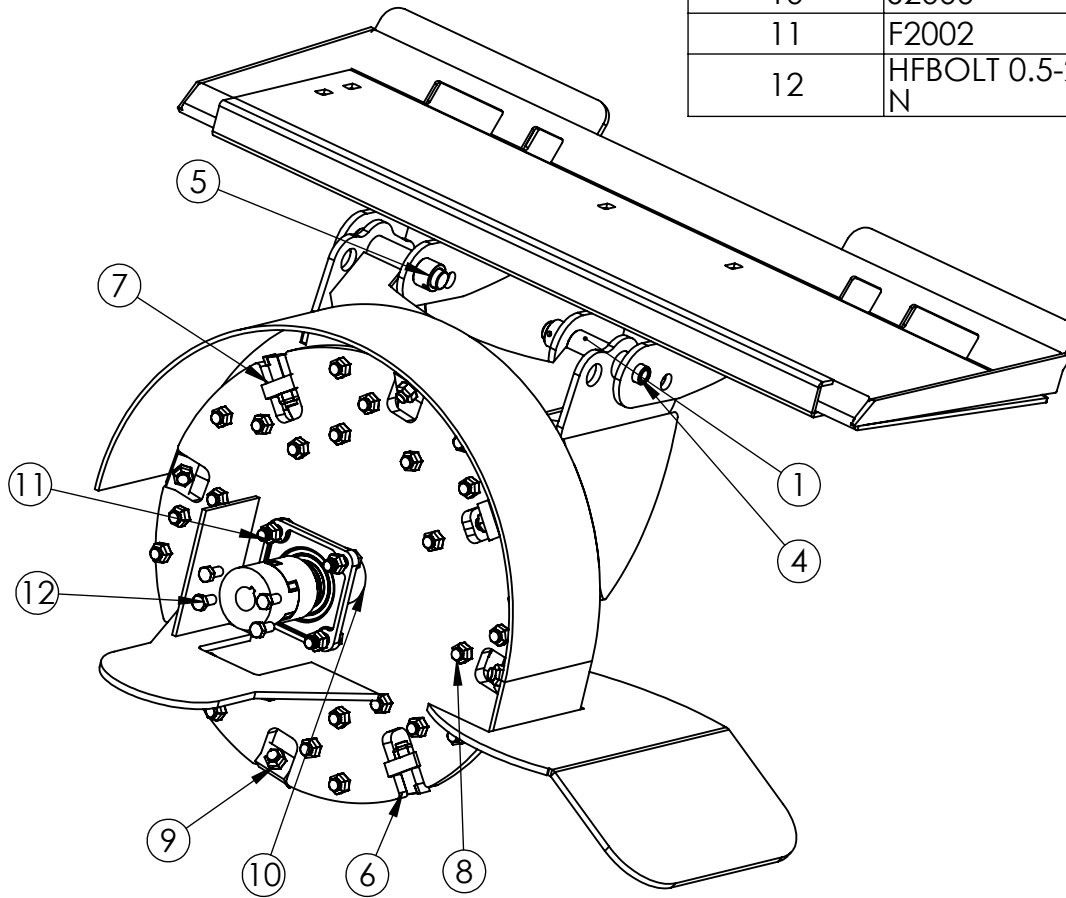


S18

ITEM NO.	PART NUMBER	DESCRIPTION	QTY.
1	P2015	1x3.75 Bushing	2
2	B2012	Flex Hub L110	2
3	B2013	L110 Flex	1
4	P2002	1x6.5 Cross Hole Grease Pin	2
5	P2014	1x1 Bushing With Cross Hole	2
6	750 3P24-1	Rotor	1
7	570 3P24-2	Block	8
8	S1000	625 tooth	34
9	S2001	Tooth Nut	42
10	S2000	Shaft	1
11	F2002	2 x.625 Fine Thread	8
12	HFBOLT 0.5-20x4x1.25-N	HFBOLT .5-20x4x1.25-N	4



PROPRIETARY AND CONFIDENTIAL
 THE INFORMATION CONTAINED IN THIS DRAWING IS THE SOLE PROPERTY OF BAUMALIGHT. ANY REPRODUCTION IN PART OR AS A WHOLE WITHOUT THE WRITTEN PERMISSION OF BAUMALIGHT IS PROHIBITED.

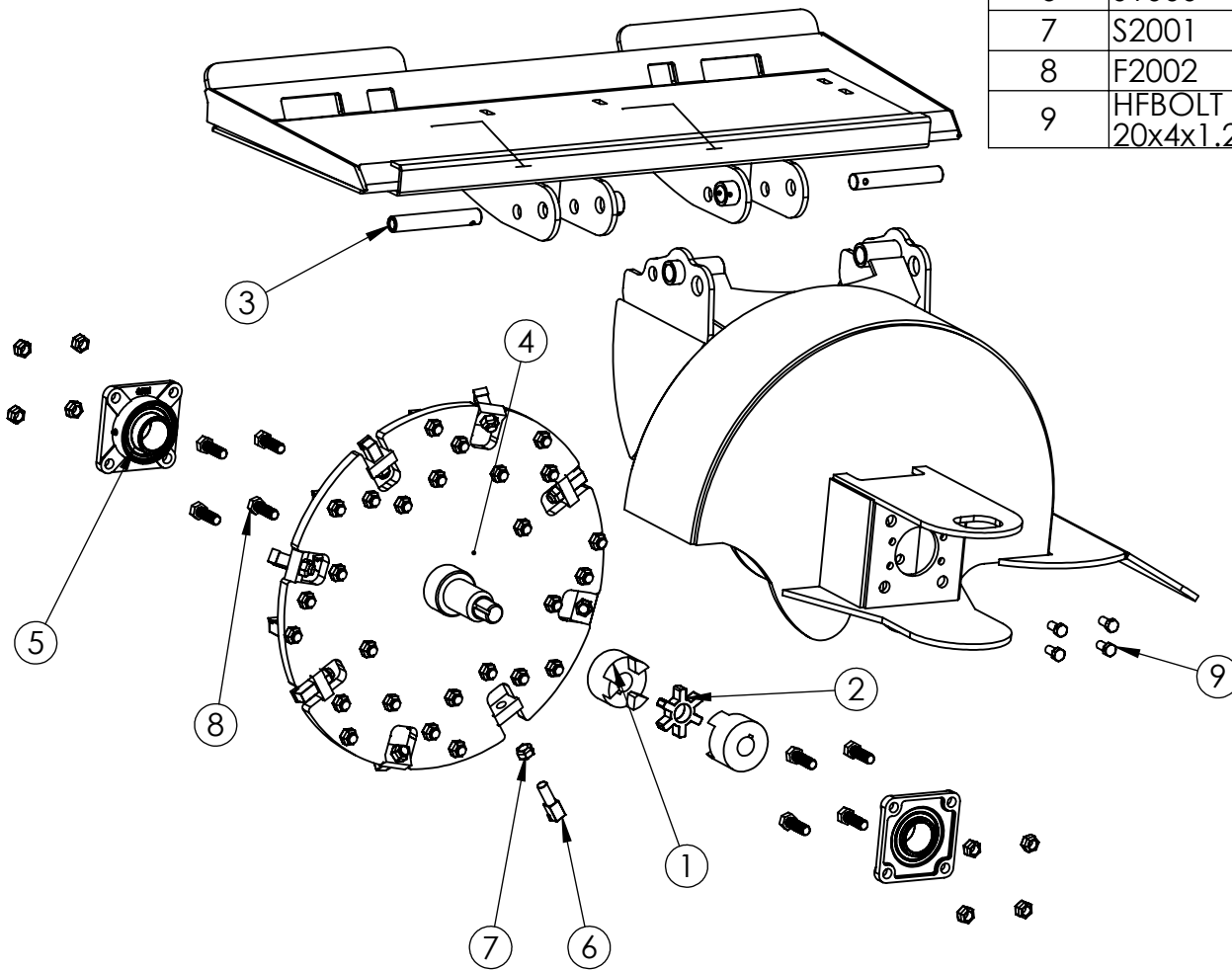
Please Specify Serial # When Ordering Parts

BAUMALight

MTB MFG INC.
 4575 Powel Rd. Tel:(519)698-9864
 RR# 1, Wallenstein Fax:(519)698-1087
 ON, N0B 2S0 Email:menno@mtbmfg.ca
 Web:www.mtbfmg.ca

S18

ITEM NO.	PART NUMBER	DESCRIPTION	QTY.
1	B2012	Flex Hub L110	2
2	B2013	L110 Flex	1
3	P2002	1x6.5 Cross Hole Grease Pin	2
4	S1028	Rotor Assembly	1
5	B2002	FLANGE BEARING UCF-210-32	2
6	S1000	625 tooth	34
7	S2001	Tooth Nut	42
8	F2002	2 x.625 Fine Thread	8
9	HFBOLT 0.5-20x4x1.25-N	HFBOLT .5-20x4x1.25-N	4



PROPRIETARY AND CONFIDENTIAL
 THE INFORMATION CONTAINED IN THIS DRAWING IS THE SOLE PROPERTY OF BAUMALIGHT. ANY REPRODUCTION IN PART OR AS A WHOLE WITHOUT THE WRITTEN PERMISSION OF BAUMALIGHT IS PROHIBITED.

Please Specify Serial # When Ordering Parts



MTB MFG INC.
 4575 Powel Rd. Tel:(519)698-9864
 RR# 1, Wallenstein Fax:(519)698-1087
 ON, N0B 2S0 Email:menno@mtbmfg.ca
 Web:www.mtbfmg.ca