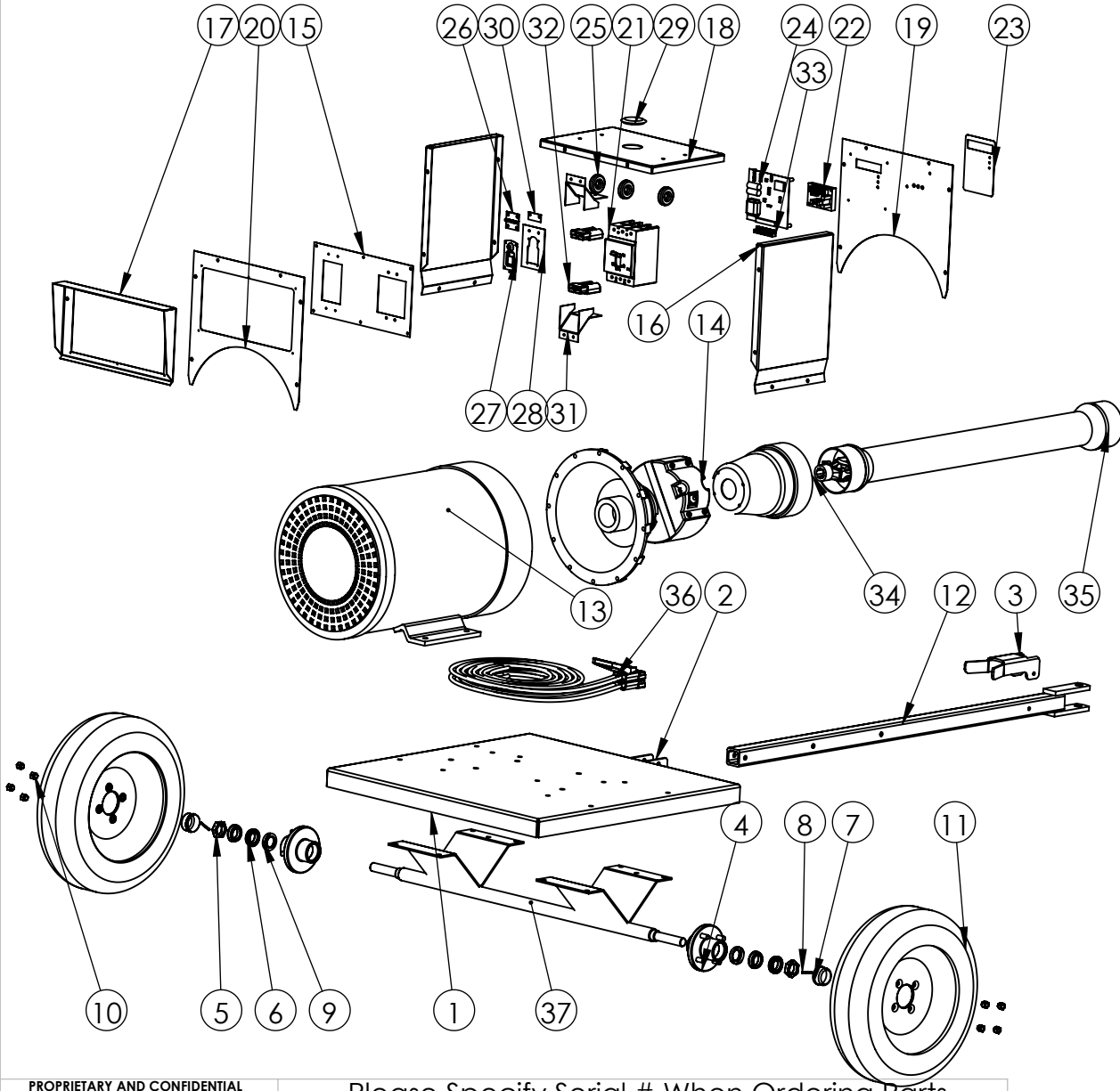


# QC75-6 Generator



ITEM NO.	PART NUMBER	DESCRIPTION	QTY.
1	G2042	105KW Trailer Deck	1
2	G2078	75KW Trailer	1
3	G2009	PTO Sup. 105KW Trailer	1
4	G2034	4 Bolt Hub	2
5	G2020	Spindle Nut	2
6	G2023	Tapered Hub Bearing	4
7	G2022	Dust Cap	2
8	G2019	Spindle Pin	2
9	G2021	Grease Seal	2
10	G2018	Wheel Nut	8
11	G2016	Tire & Rim 21"	2
12	G2010	Toungue-105KW Trailer	1
13	E2057	Generator QC75-6	1
14	G2081	1000 RPM 120 KW COMER	1
15	G2087	QC75-6 Front Panel	1
16	G2067	QC100 Side Panel	2
17	G2057	QC100 Rain Cover	1
18	G2066	QC100 Top Panel	1
19	G2065	QC100 Front Panel	1
20	G2064	QC100 Back Panel	1
21	E1016	60 Amp 3-Pole Breaker	1
22	E2020	Voltage Regulator	1
23	E2055	Display Master 1 Sticker	1
24	E2017	Display Master 1	1
25	E2019	300-5 CT	3
26	G2012	Mini Stainless Hinge	1
27	G2013	Mini-Lock	1
28	G2015	Hinge Mount	1
29	G2060	Plastic Cap	1
30	G2048	Space Plate	1
31	G2059	175 AMP Aderson Bracket	2
32	E2010	175 AMP And. Connector	2
33	E2018	Plug	1
34	G2008	105KW PTO Gaurd	1
35	G2084	1000 RPM 100KW PTO	1
36	E2058	10 FT 4 Strand #4 Cord Kit	1
37	G2014	105KW Trailer Axel	1

**PROPRIETARY AND CONFIDENTIAL**  
 THE INFORMATION CONTAINED IN THIS DRAWING IS THE SOLE PROPERTY OF BAUMALIGHT. ANY REPRODUCTION IN PART OR AS A WHOLE WITHOUT THE WRITTEN PERMISSION OF BAUMALIGHT IS PROHIBITED.

Please Specify Serial # When Ordering Parts



MTB MFG INC.  
 4575 Powel Rd. Tel: (519) 698-9864  
 RR# 1, Wallenstein Fax: (519) 698-1087  
 ON, N0B 2S0 Email: menno@mtbmfg.ca  
 Web: www.mtbmfg.ca