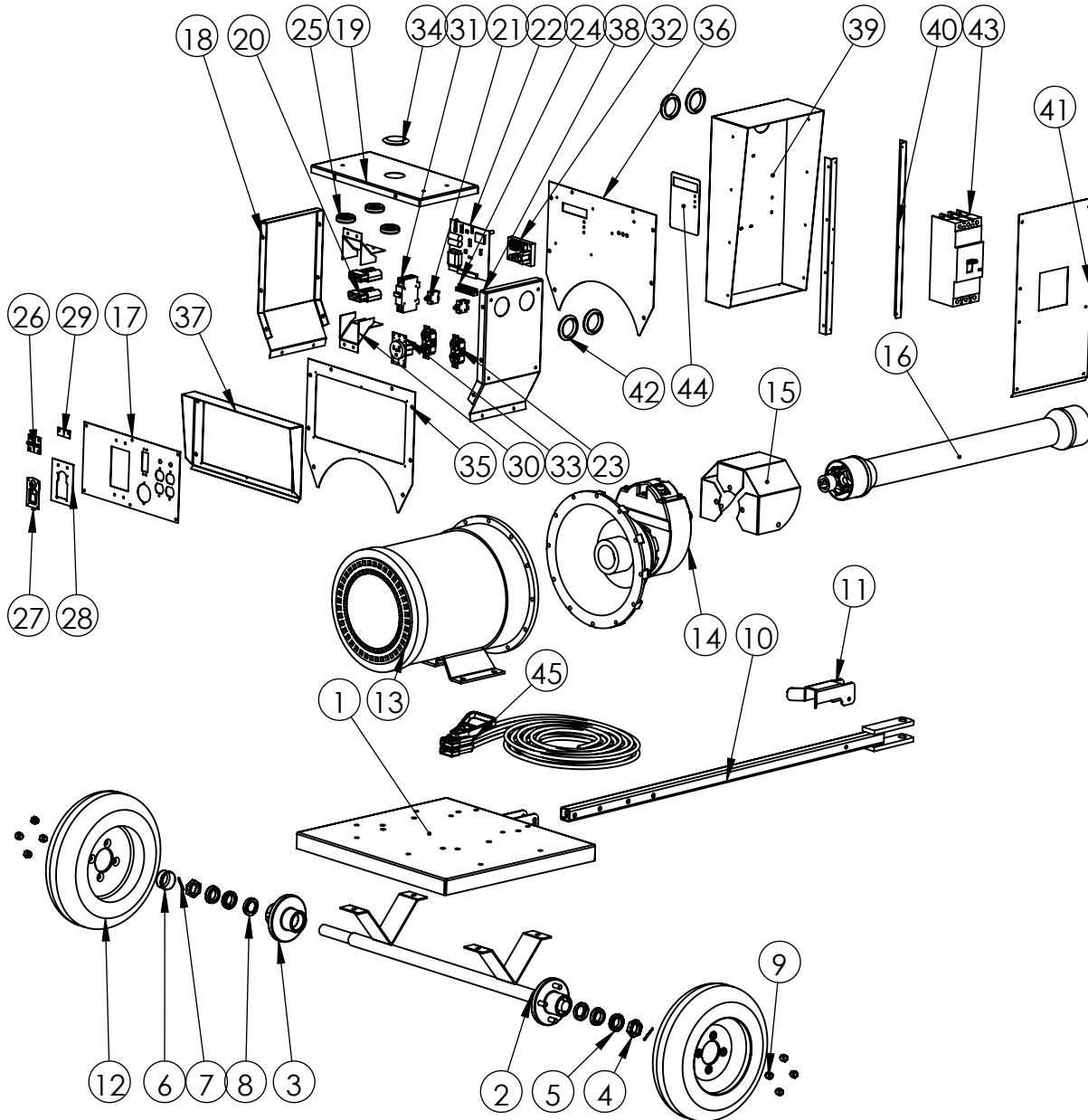


QC30-2 Generator



ITEM NO.	PART NUMBER	DESCRIPTION	QTY.
1	G2079	30KW Trailer	1
2	G2035	30KW Trailer Axel	1
3	G2034	4 Bolt Hub	2
4	G2020	Spindle Nut	2
5	G2023	Tapered Hub Bearing	4
6	G2022	Dust Cap	2
7	G2019	Spindle Pin	2
8	G2021	Grease Seal	2
9	G2018	Wheel Nut	8
10	G2037	30KW Tounge	1
11	G2030	30KW PTO Support	1
12	G2017	Tire & Rim 16"	2
13	E2065	Generator QC30-2	1
14	G2061	540 RPM 30 Kw OMNI	1
15	G2077	30 KW A PTO Gaurd	1
16	G2011	540 RPM 30KW PTO	1
17	G2070	QC100 Panel	1
18	G2055	QC30-2 Side Panel	1
19	G2054	QC30 Top Panel	1
20	E2010	175 AMP And. Connector	2
21	E2000	20A Switch	2
22	E2017	Display Master 1	1
23	E2004	Duplex Receptical	2
24	E2018	Plug	1
25	E2019	300-5 CT	3
26	G2012	Mini Stainless Hinge	1
27	G2013	Mini-Lock	1
28	G2015	Hinge Mount	1
29	G2048	Space Plate	1
30	G2059	175 AMP Aderson Bracket	2
31	E2005	50 Amp Breaker	1
32	E2020	Voltage Regulator	1
33	E2001	Welder Receptical	1
34	G2060	Plastic Cap	1
35	G2052	QC30 Back Panel	1
36	G2053	QC30 Front Panel	1
37	G2068	QC30 Rain Cover	1
38	G2091	QC30-2 Side Panel	1
39	G2073	BB Main Box	1
40	G2071	BB Box Angel	2
41	G2072	BB Cover	1
42	G2090	Rubber Seal Breaker Box	4
43	E1017	100 A 3 Pole Breaker	1
44	E2055	Display Master 1 Sticker	1
45	E2058	10 FT 4 Strand #4 Cord Kit	1
46	G2036	30KW Trailer Deck	1

PROPRIETARY AND CONFIDENTIAL
 THE INFORMATION CONTAINED IN THIS DRAWING IS THE SOLE PROPERTY OF BAUMALIGHT. ANY REPRODUCTION IN PART OR AS A WHOLE WITHOUT THE WRITTEN PERMISSION OF BAUMALIGHT IS PROHIBITED.

Please Specify Serial # When Ordering Parts



MTB MFG INC.
 4575 Powel Rd. Tel: (519) 698-9864
 RR# 1, Wallenstein Fax: (519) 698-1087
 ON, N0B 2S0 Email: menno@mtbmfg.ca
 Web: www.mtbfmg.ca