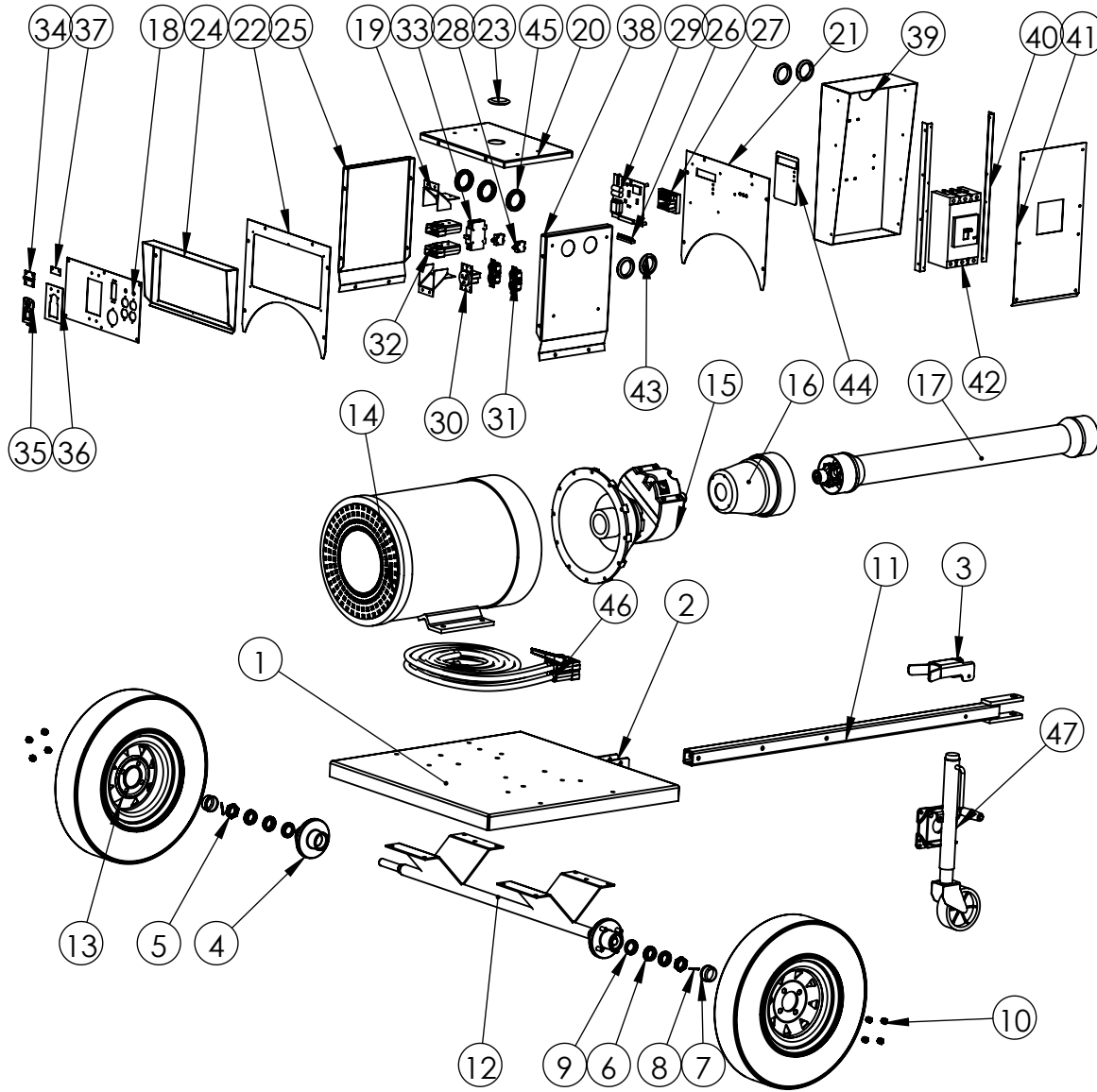


QC105-2 Generator



ITEM NO.	PART NUMBER	DESCRIPTION	QTY.
1	G2042	105KW Trailer Deck	1
2	G2089	105KW Trailer	1
3	G2009	PTO Sup. 105KW Trailer	1
4	G2034	4 Bolt Hub	2
5	G2020	Spindle Nut	2
6	G2023	Tapered Hub Bearing	4
7	G2022	Dust Cap	2
8	G2019	Spindle Pin	2
9	G2021	Grease Seal	2
10	G2018	Wheel Nut	8
11	G2010	Toungue-105KW Trailer	1
12	G2014	105KW Trailer Axel	1
13	G2088	24" Rim & Wheel	2
14	E2063	Generator QC105-2	1
15	G2081	1000 RPM 120 KW COMER	1
16	G2008	105KW PTO Gaurd	1
17	G2084	1000 RPM 100KW PTO	1
18	G2070	QC100 Panel	1
19	G2069	350 AMP Anderson Bracket	2
20	G2066	QC100 Top Panel	1
21	G2065	QC100 Front Panel	1
22	G2064	QC100 Back Panel	1
23	G2060	Plastic Cap	1
24	G2057	QC100 Rain Cover	1
25	G2067	QC100 Side Panel	1
26	E2018	Plug	1
27	E2020	Voltage Regulator	1
28	E2000	20A Switch	2
29	E2017	Display Master 1	1
30	E2001	Welder Receptical	1
31	E2004	Duplex Receptical	2
32	E2022	350 AMP Anderson Connector	2
33	E2005	50 Amp Breaker	1
34	G2012	Mini Stainless Hinge	1
35	G2013	Mini-Lock	1
36	G2015	Hinge Mount	1
37	G2048	Space Plate	1
38	G2074	Side Panel With Hole	1
39	G2073	BB Main Box	1
40	G2071	BB Box Angel	2
41	G2072	BB Cover	1
42	E1022	400 A 3 Pole Breaker	1
43	G2090	Rubber Seal Breaker Box	4
44	E2055	Display Master 1 Sticker	1
45	E2038	500-5 CT	3
46	E2064	10 Foot 4/0 4 Strand Cord Kit	1
47	G2107	Jack 850lbs (Trolley)	1

PROPRIETARY AND CONFIDENTIAL
 THE INFORMATION CONTAINED IN THIS DRAWING IS THE SOLE PROPERTY OF BAUMALIGHT. ANY REPRODUCTION IN PART OR AS A WHOLE WITHOUT THE WRITTEN PERMISSION OF BAUMALIGHT IS PROHIBITED.

Please Specify Serial # When Ordering Parts



MTB MFG INC.
 4575 Powel Rd. Tel: (519) 698-9864
 RR# 1, Wallenstein Fax: (519) 698-1087
 ON, N0B 2S0 Email: menno@mtbmfg.ca
 Web: www.mtbfmfg.ca