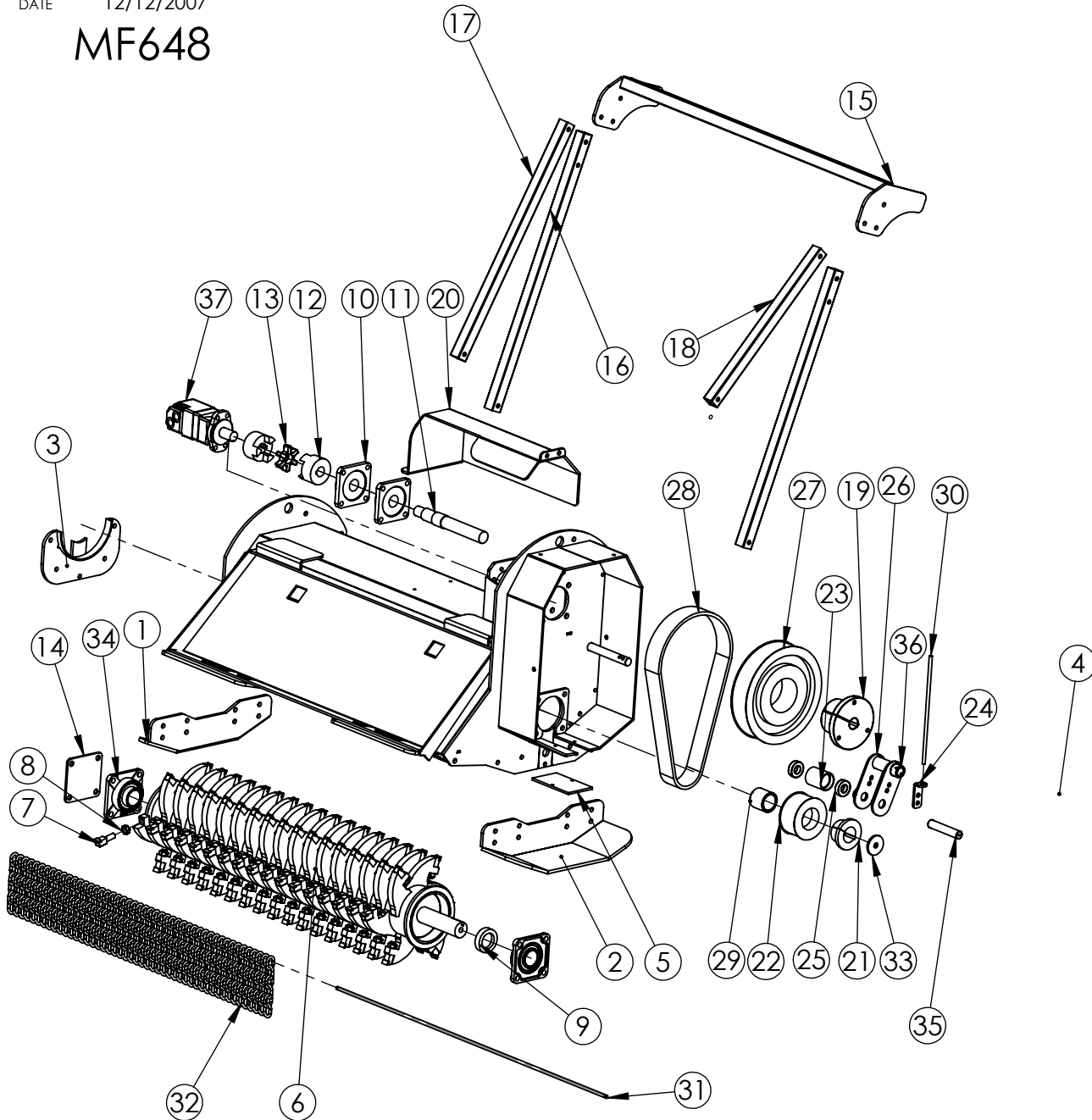


MF648



ITEM NO.	PART NUMBER	DESCRIPTION	QTY.
1	M1013	Left Shoe	1
2	M1014	Right Shoe	1
3	M2002	Wire Gaurd Holder	2
4	M1015	Belt Cover MF648	1
5	M2005	Dust Cover	1
6	M2001	Rotor	1
7	S1000	625 tooth	102
8	S2001	Tooth Nut	102
9	B2014	Drum Spacer	1
10	B2004	4 Bolt F208 1.5	2
11	S2025	Jack Shaft	1
12	B2012	Flex Hub L110	2
13	B2013	L110 Flex	1
14	M2006	Bearing Cap	1
15	T2081	1.5x1.5 cross member	1
16	T2082	1.5x1.5 pusher arm	2
17	T2083	1.5x1.5 brace	1
18	T2084	1.5x1.5 right brace	1
19	B2010	MF648 Big Timer Pulley Hub 1.5in	1
20	M1016	Flex Cover	1
21	B2008	Small Hub 2 Bore	1
22	B2009	MF648 Small Timer Pully	1
23	B2007	2.75 Idler Pully	1
24	M2007	Idlere Puller Bracket	1
25	B2003	Idler Bearing 1in	2
26	M1022	Idler Weldment	1
27	B2011	MF648 Big Timer Pully	1
28	B2006	Timer Belt	1
29	P2001	MF648 2in Hub Spacer	1
30	S2024	Threaded Rod	1
31	M1001	Chain Pin	1
32	C2001	6 Link Chain	48
33	M2003	Main Shaft Washer	1
34	B2005	4 Blot 210 Flange	2
35	P2007	1x5.25 Cross Hole Grease	1
36	P2014	1x1 Bushing With Cross Hole	1
37	H2096	Side Port Motor Key Shaft	1

PROPRIETARY AND CONFIDENTIAL
 THE INFORMATION CONTAINED IN THIS DRAWING IS THE SOLE PROPERTY OF BAUMALIGHT. ANY REPRODUCTION IN PART OR AS A WHOLE WITHOUT THE WRITTEN PERMISSION OF BAUMALIGHT IS PROHIBITED.

Please Specify Serial # When Ordering Parts



MTB MFG INC.
 4575 Powel Rd. Tel:(519)698-9864
 RR# 1, Wallenstein Fax:(519)698-1087
 ON, N0B 2S0 Email:menno@mtbmfg.ca
 Web:www.mtbfmg.ca