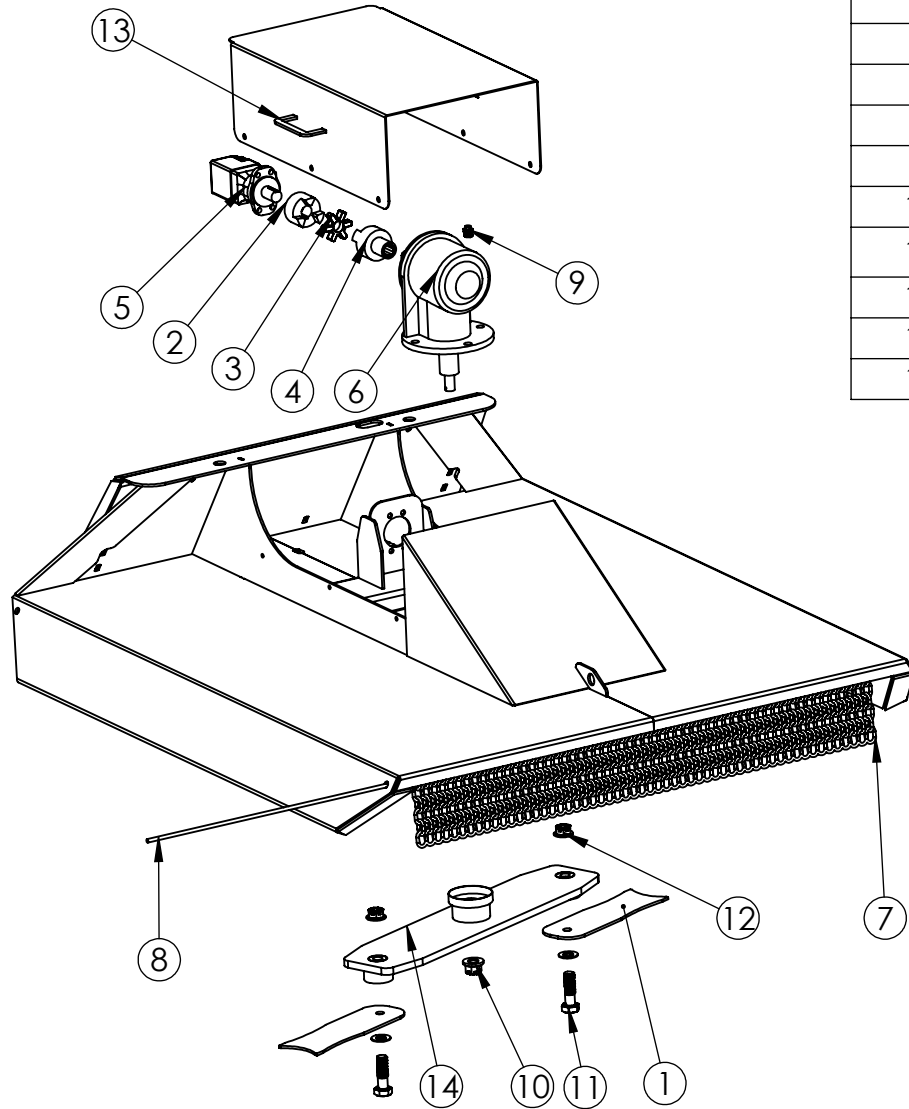


# MF360 Brush Mower



ITEM NO.	PART NUMBER	DESCRIPTION	QTY.
1	M2029	Swinging Blade MF360	2
2	B2012	Flex Hub L110	1
3	B2013	L110 Flex	1
4	B2029	Flex Hub L110 W/B Pressed	1
5	H2096	Side Port Motor Key Shaft	1
6	G2109	Right Angle Gearbox	1
7	C2001	6 Link Chain	57
8	M2044	MF360 Chain Rod	2
9	H2100	Breather Cap	1
10	F2005	Castle Nut 1" UNF	1
11	HHFBOLT 1.0000-12x3.5x2.25-S	Bolt 1"x 3.5" UNF with hole	2
12	F2006	Castle Nut 1" UNF G2	2
13	M2043	Power Gear Cover	1
14	M2033	Blade Mount	1

**PROPRIETARY AND CONFIDENTIAL**  
 THE INFORMATION CONTAINED IN THIS DRAWING IS THE SOLE PROPERTY OF BAUMALIGHT. ANY REPRODUCTION IN PART OR AS A WHOLE WITHOUT THE WRITTEN PERMISSION OF BAUMALIGHT IS PROHIBITED.

Please Specify Serial # When Ordering Parts



MTB MFG INC.  
 4575 Powel Rd. Tel:(519)698-9864  
 RR# 1, Wallenstein Fax:(519)698-1087  
 ON, N0B 2S0 Email:menno@mtbmfg.ca  
 Web:www.mtbfmg.ca