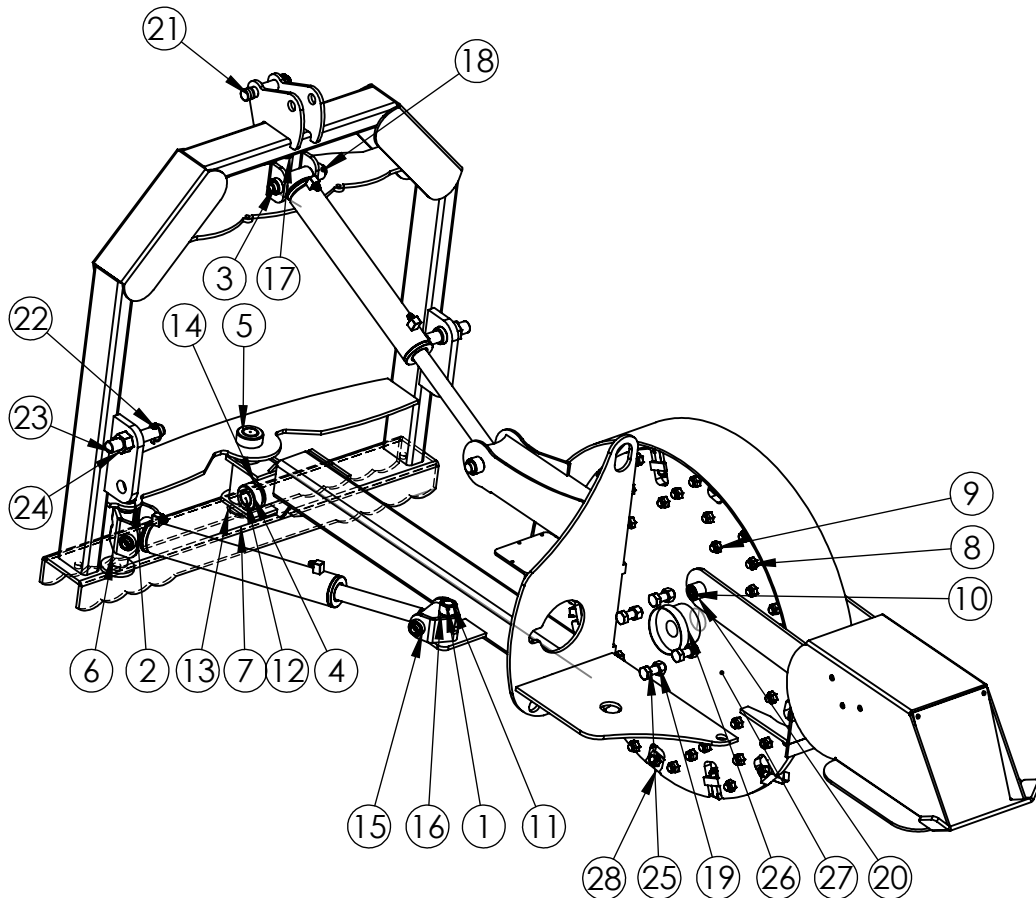


3P34 complet assem



ITEM NO.	PART NUMBER	DESCRIPTION	QTY.
1	P2014	1x1 Bushing With Cross Hole	6
2	P2017	1x1 Bushing	2
3	P2002	Pin 1x6.5 Cross Hole Grease	6
4	P2030	End Furl W/Step	3
5	P2006	Swing Pin 1.5x10	1
6	P2018	1x2.625 Bushing W/Cross Hole	1
7	P2031	End Furl With Cross Hole	1
8	S1000	625 tooth	52
9	S2001	Tooth Nut	52
10	P2004	Deflector Pins	2
11	P2003	1x4.5 Cross Hole Grease	1
12	P2005	Pin 1.5x7 Cross Hole	1
13	P2033	2.5 ID x 7 Pipe	1
14	P2032	1.75 ID X 3.875 Pipe	1
15	P2019	1IDx.5 Bushing	3
16	P2020	1IDx2.625 Bushing	1
17	P2015	1x3.75 Bushing	2
18	HX-SHCS 0.25-28x1.25x1.25-N	HX-SHCS 0.25-28x1.25x1.25-N	2
19	Hex Nut_AI	Hex Nut_AI	4
20	S2021	1x1.5 Bushing	2
21	S1005	CAT 2 Top Link	1
22	S1014	3-Point Lynch Pin	3
23	S1001	Cat 2x1.125	2
24	S1003	1.125 Nut	2
25	HFBOLT 0.75-16x2x1.75-N	HFBOLT 0.75-16x2x1.75-N	4
26	S1045	Weldable Hub	1
27	375 3P34-1	Rotor	1
28	570 3P24-2	Block	12

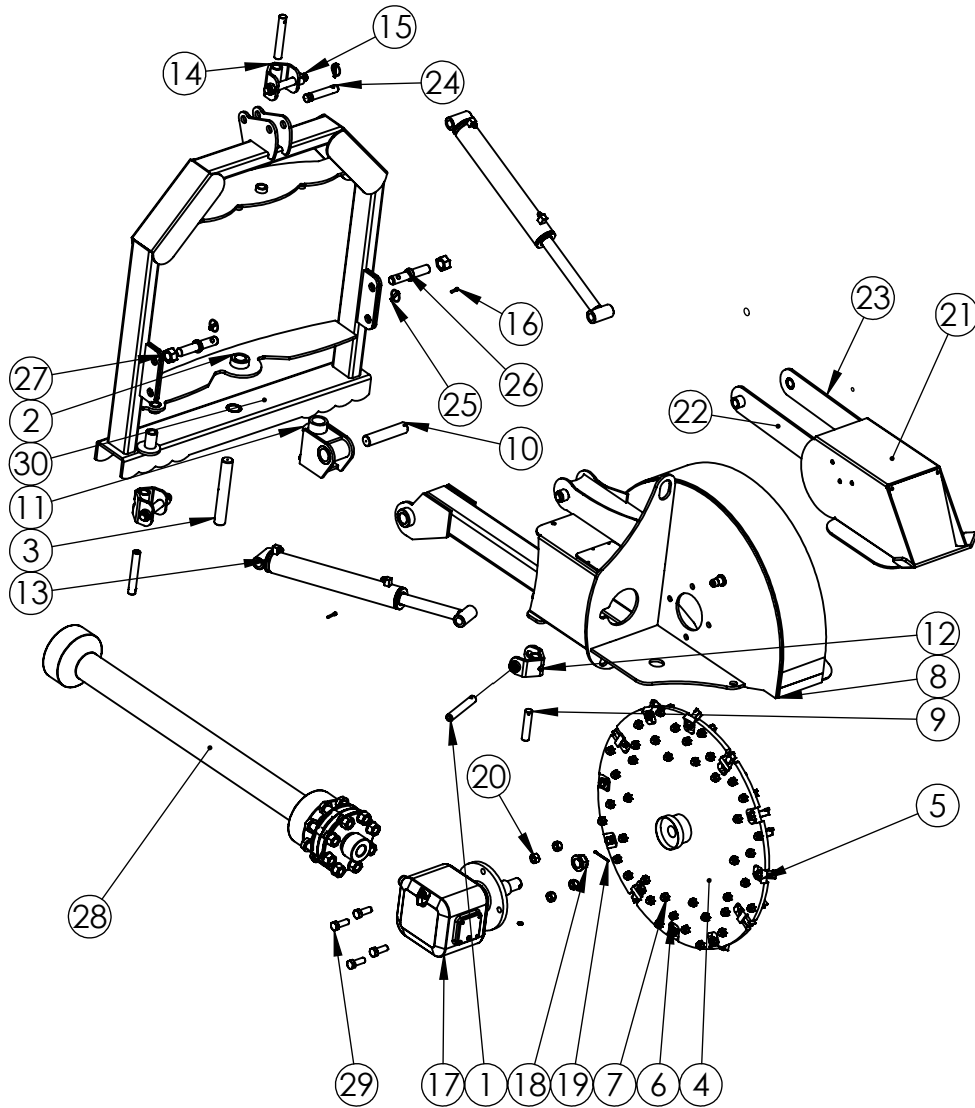
PROPRIETARY AND CONFIDENTIAL
 THE INFORMATION CONTAINED IN THIS DRAWING IS THE SOLE PROPERTY OF BAUMALIGHT. ANY REPRODUCTION IN PART OR AS A WHOLE WITHOUT THE WRITTEN PERMISSION OF BAUMALIGHT IS PROHIBITED.

Please Specify Serial # When Ordering Parts



MTB MFG INC.
 4575 Powel Rd. Tel:(519)698-9864
 RR# 1, Wallenstein Fax:(519)698-1087
 ON, N0B 2S0 Email:menno@mtbmfg.ca
 Web:www.mtbfmfg.ca

3P34 complet assem



ITEM NO.	PART NUMBER	DESCRIPTION	QTY.
1	P2002	1x6.5 Cross Hole Grease Pin	4
2	P2030	End Furl W/Step	1
3	P2006	Swing Pin 1.5x10	1
4	375 3P34-1	Rotor	1
5	570 3P24-2	Block	12
6	S1000	625 tooth	52
7	S2001	Tooth Nut	52
8	S1034	3P34 rotor frame	1
9	P2003	1x4.5 Cross Hole Grease	1
10	P2005	Pin 1.5x7 Cross Hole	1
11	S1023	Main Nuckle	1
12	S1025	C Assembly	1
13	S1024	23.125" Cylinder	2
14	S1022	B Assembly	2
15	P2021	1x6.5 Pin	2
16	HX-SHCS 0.25-28x1.25x1.25-N	HX-SHCS 0.25-28x1.25x1.25-N	2
17	G2086	3 PH Gearbox	1
18	S1046	G2086 Gearbox Main Nut	1
19	S1047	G2086 Gearbox Main Pin	1
20	Hex Nut_AI	Hex Nut_AI	4
21	S1036	Flooding Deflector	1
22	S2019	G. Box Side	1
23	S2020	Cutting Side	1
24	S1005	CAT 2 Top Link	1
25	S1014	3-Point Lynch Pin	3
26	S1001	Cat 2x1.125	2
27	S1003	1.125 Nut	2
28	S1013	100 HP Stumper Shaft	1
29	HFBOLT 0.75-16x2x1.75-N	HFBOLT 0.75-16x2x1.75-N	4
30	S1020	A Frame 3P34	1

PROPRIETARY AND CONFIDENTIAL
 THE INFORMATION CONTAINED IN THIS DRAWING IS THE SOLE PROPERTY OF BAUMALIGHT. ANY REPRODUCTION IN PART OR AS A WHOLE WITHOUT THE WRITTEN PERMISSION OF BAUMALIGHT IS PROHIBITED.

Please Specify Serial # When Ordering Parts



MTB MFG INC.
 4575 Powel Rd. Tel:(519)698-9864
 RR# 1, Wallenstein Fax:(519)698-1087
 ON, N0B 2S0 Email:menno@mtbmfg.ca
 Web:www.mtbfmg.ca